

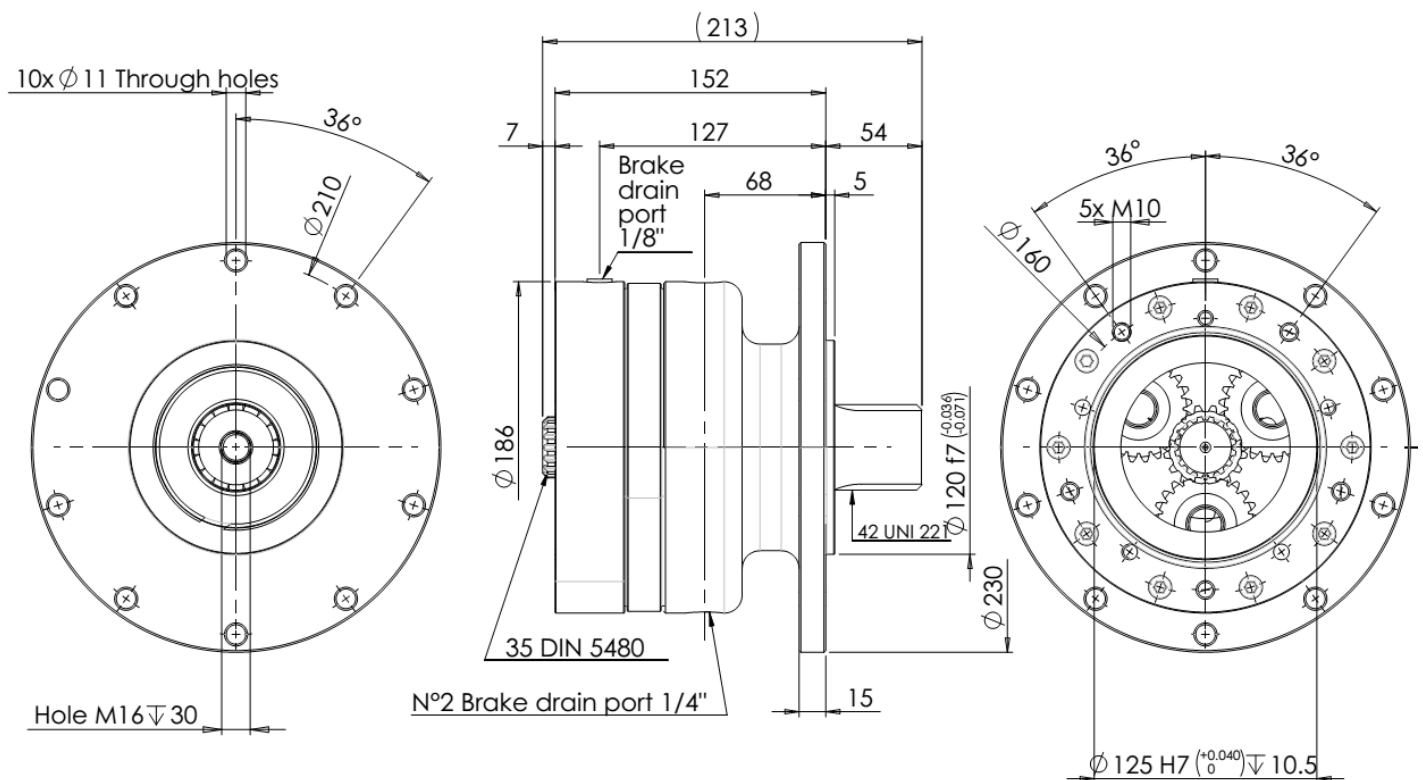
## R04



### CHARACTERISTICS / CARATTERISTICHE

1.	Max. peak torque	2700 [Nm]
2.	Max. cont. torque	1350 [Nm]
3.	Max. speed	280 [rpm]
4.	Approximative mass	25 [kg]
5.	Approximative motor oil capacity	0,8 [l]
6.	Reduction ratio	5,77:1

### DIMENSIONAL DRAWING / DISEGNO D'INGOMBRO



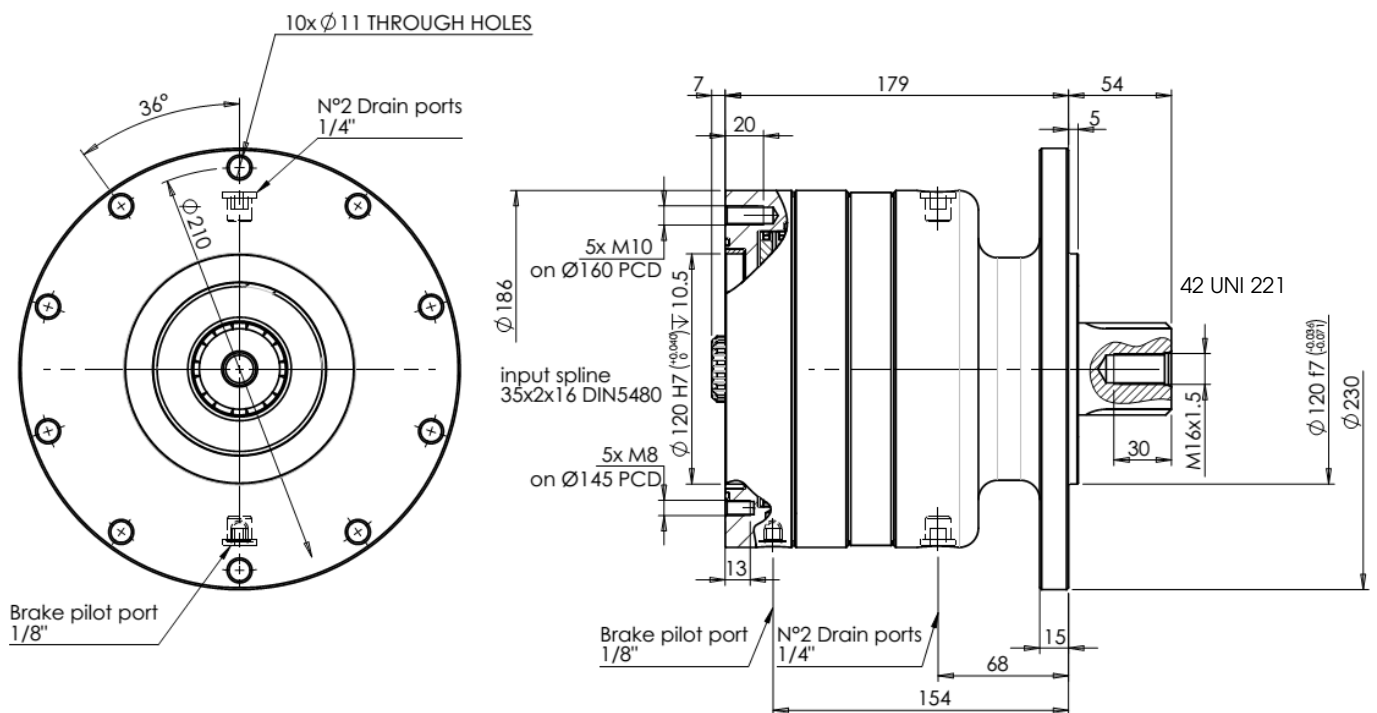
## R04F

### CHARACTERISTICS / CARATTERISTICHE



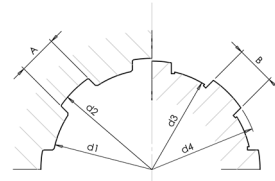
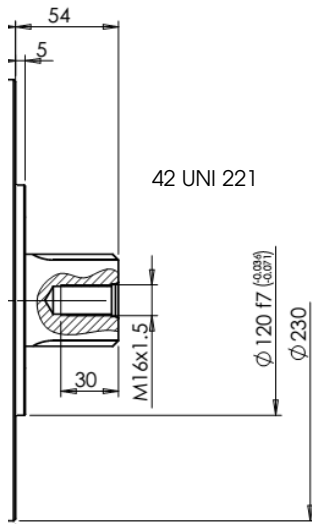
1.	Max. peak torque	2700 [Nm]
2.	Max. cont. torque	1350 [Nm]
3.	Max. speed	280 [rpm]
4.	Approximative mass	28 [kg]
5.	Approximative motor oil capacity	0,8 [l]
6.	Reduction ratio	5,77:1
7.	Static braking torque	2500 [Nm]
8.	Max. brake pilot pressure	50 [bar]
9.	Min. brake pilot pressure	20 [bar]

### DIMENSIONAL DRAWING / DISEGNO D'INGOMBRO



## SHAFT OPTIONS OPZIONI ALBERO

Splined  
Calettato 42 UNI 221



42 UNI 221

d1	Ø 42,000	+ 0,025 + 0	H7
d2	Ø 48,000	+ 0,390 + 0	H13
A	Ø 8,000	+ 0,035 + 0,013	F8
d3	Ø 42,000	- 0,009 - 0,025	g6
d4	Ø 48,000	- 0,080 - 0,240	d11
B	Ø 8,000	- 0,013 - 0,028	f7

## ORDER CODES CODICI D'ORDINE

1
2
3
4

RID.R04	+		MOT.	1-05	+	I=	5,77	+	O
---------	---	--	------	------	---	----	------	---	---

<b>1 Brake</b>	No code = without brake F = with brake	<b>1 Freno</b>	Nessun codice = senza freno F = con freno
<b>2 Input motor size</b>	1-05	<b>2 Taglia motore d'ingresso</b>	1-05
<b>3 Reduction ratio</b>	5,77:1	<b>3 Rapporto di riduzione</b>	5,77:1
<b>4 Lubrication options</b>	O = separated oil U = shared oil	<b>4 Opzioni lubrificazione</b>	O = olio separato U = olio unico

Example

*Esempio*

RID.R04 MOT. 1-05 I=5,77 O  
(standard)

RID.R04F MOT. 1-05 I=5,77 U  
(options: with brake, shared oil)  
(*opzioni: con freno, olio unico*)